

**EBONITE**

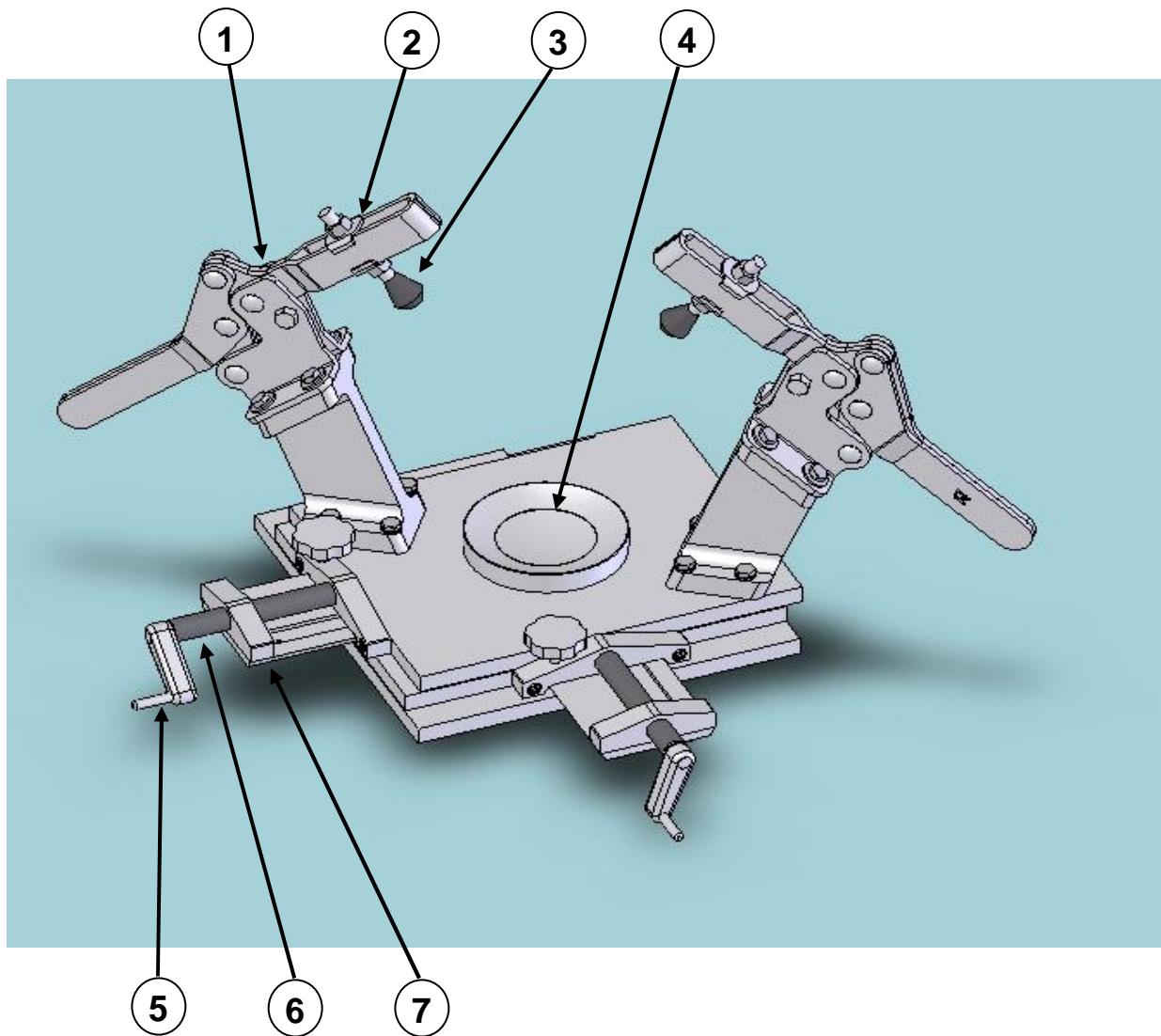
**POWER  
HOUSE**



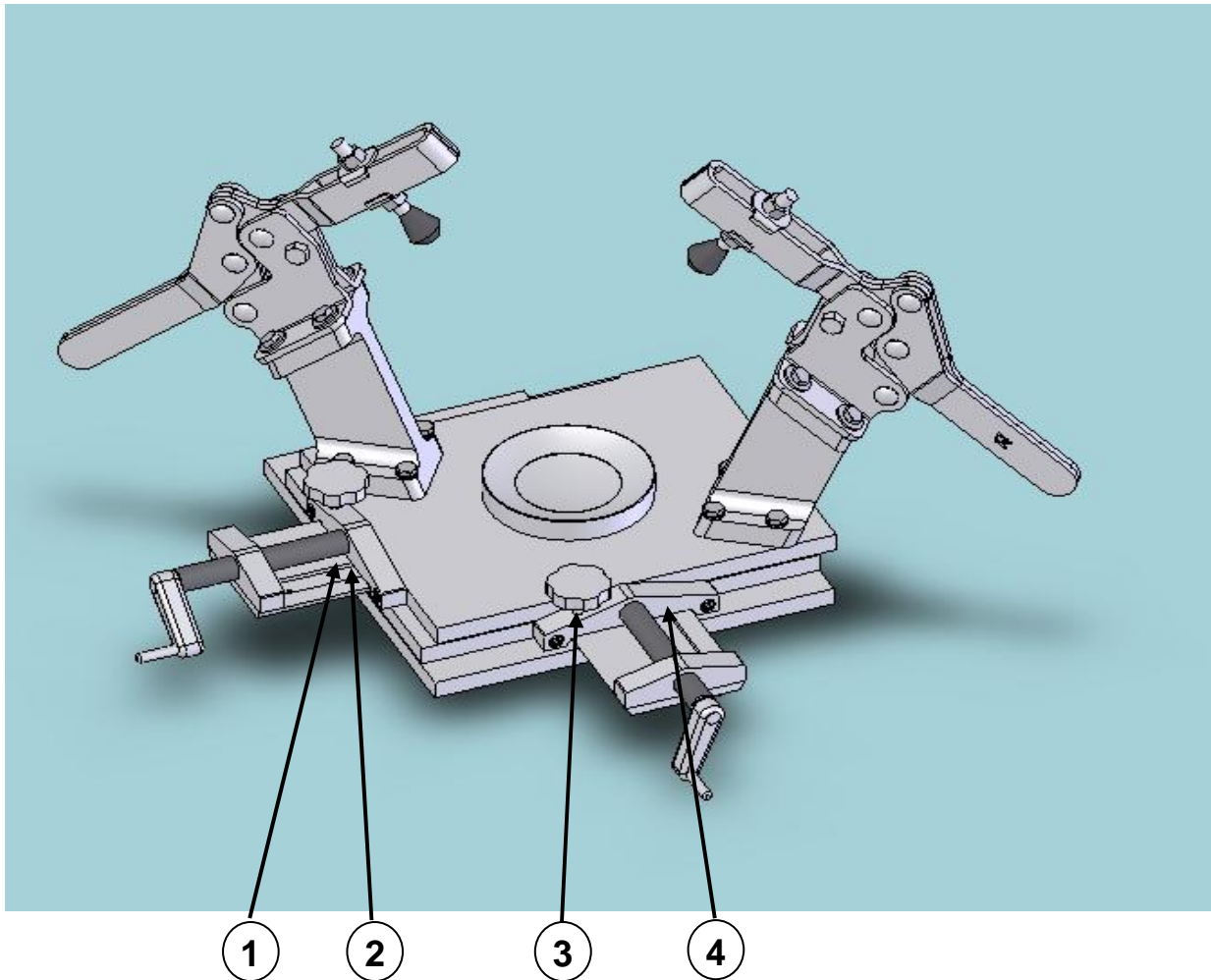
## **Economy Drill Press**

**EQUIP009EA**

**Parts List Manual**



| Item | Description          | Part #     |
|------|----------------------|------------|
| 1    | Ball Jig Lever Clamp | 90-0035    |
| 2    | Connector Rod Washer | 90-0100    |
| 3    | Connector Rod        | 90-0101    |
| 4    | Ball Cup             | 90-001-010 |
| 5    | Balanced Crank Hnd.  | 90-0059    |
| 6    | Slide Screw          | 90-001-008 |
| 7    | Rear Block           | 90-001-006 |



| Item | Description             | Part #     |
|------|-------------------------|------------|
| 1    | Wave Washer (Not Shown) | 90-001-012 |
| 2    | 5/16 Grip (Not Shown)   | 90-001-013 |
| 3    | X-Y Jig Knob            | 90-0079    |
| 4    | Front Block             | 90-001-005 |