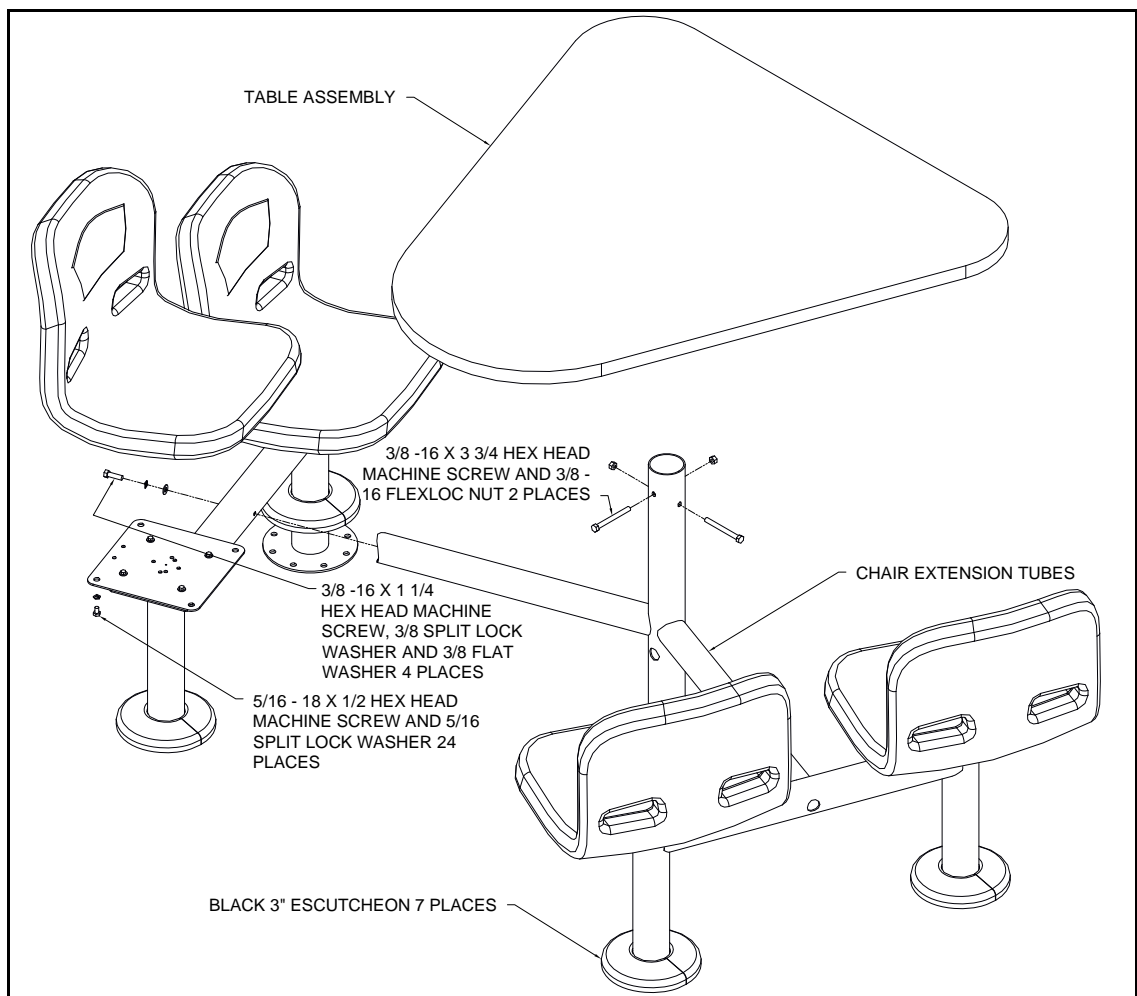


EBONITE VANTECH™

Assembly Instruction – 4 Seat Triangle 30-2400



Assembly Exploded View

Tool List

1/2" Drive Socket Wrench

Standard Hex Socket – 1/2, 5/8"

Deep Hex Socket – 9/16"

9/16 Box End Wrench

Carpenters Square

Assembly Procedure

Use the Assembly Exploded View drawing as a guide while performing these instructions.

Some steps of this assembly process are easier when two people are available.

The unit should be assembled on a level floor. If it must be moved after assembly – remove the table and lift the assembly by the Chair Extension Tubes. **DO NOT LIFT BY THE TABLE OR SEATS!**

Step 1

Position the Seat Pedestals at the end of their Chair Extension Tubes and insert the indicated hardware. Do not tighten the screws yet.

Use the carpenters square, position the Seat Pedestal cross bar square with the Chair Extension Tube and then tighten the screw firmly.

Step 2

Lay the Table upside down on the floor or bench (protect it from scratches).

Position the Table Top Support as shown in the illustration. Notice that one set of pedestal holes is closer to the table than the other. Position the Support so that the lower set of holes is aligned with the larger radius corner of the table.

Insert and tighten the eight screws.

CAUTION: OVERTIGHTENING CAN LOOSEN THE THREADED INSERTS IN THE TABLE.

Mount the four chairs using the indicated hardware.

Step 4

Position the Table Assembly over its pedestal and attach it with the indicated hardware.

Step 5

Bolt the unit to the floor using hardware appropriate for your type of floor.

Step 6

Place the Escutcheons around each of the Pedestals to cover the flanges and your bolts.

Step 3

