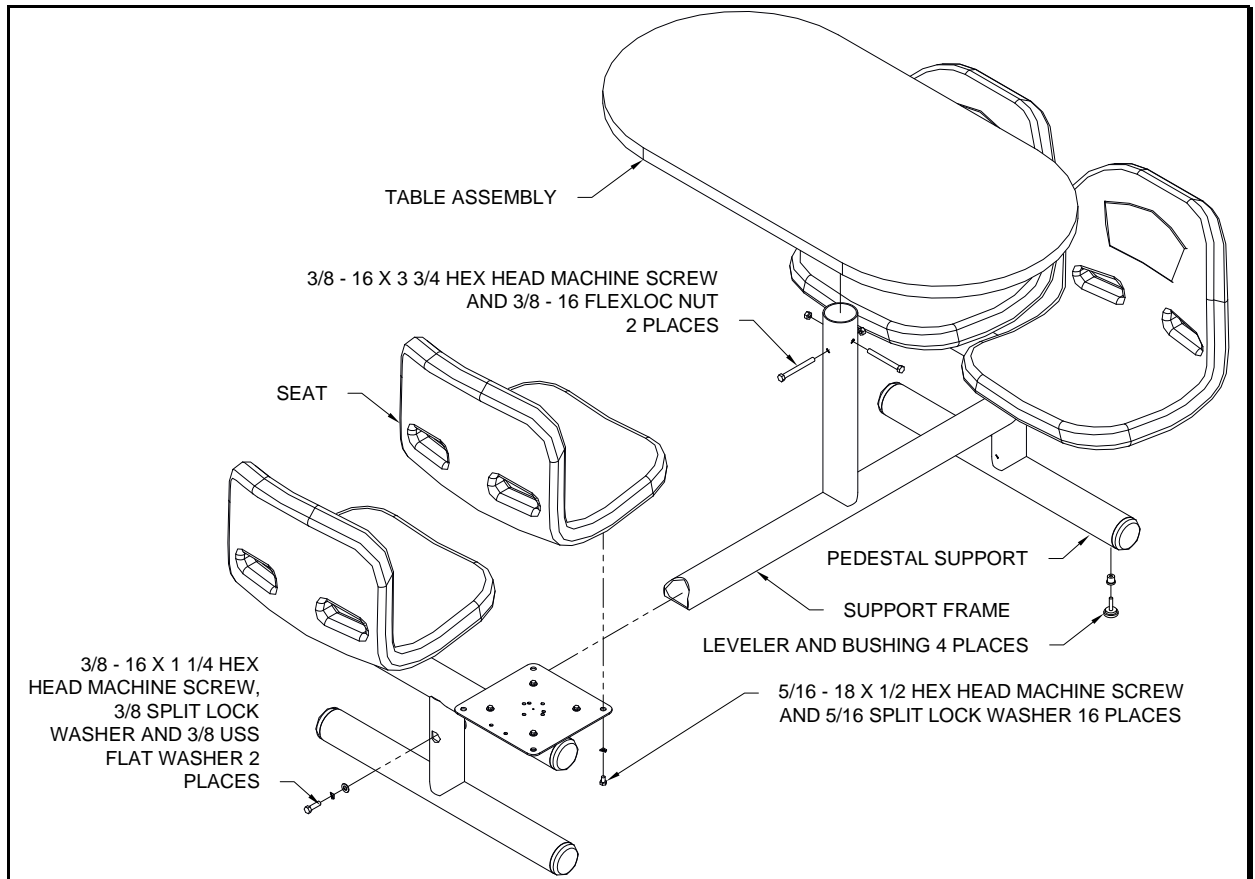
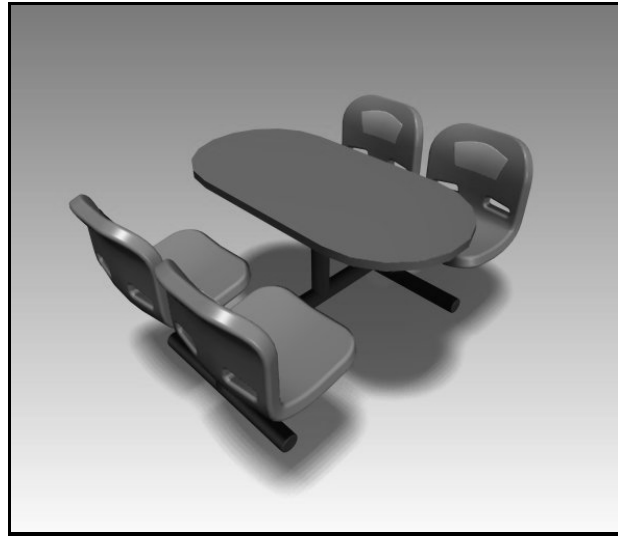


EBONITE VANTECH™

Assembly Instruction – Quad Table 30-2000



Assembly Exploded View

Tool List

1/2" Drive Socket Wrench

Standard Hex Socket – 1/2", 5/8"

Deep Hex Socket – 9/16

Box End Wrench – 9/16"

Tape Measure

Assembly Procedure

Use the Assembly Exploded View drawing as a guide while performing the following instructions.

Some steps of this assembly process are easier when two people are available.

The unit should be assembled on a level floor.

1. On the Pedestal Supports, screw the Levelers all the way in.
2. Attach the Pedestal Supports to the Support Frame. Tighten the screws finger tight.
3. The following steps will verify that the Pedestal Supports are square with each other. You will take two diagonal measurements as shown by the X in the following drawing.
4. Using the tape measure, measure from the end of one tube to the opposite end of the other tube.
5. Repeat the measurement across the opposite ends.
6. Rotate the Pedestal Supports until both measurements are the same.
7. When both measurements are the same tighten the screws inserted in previous steps.
8. **IMPORTANT: THESE SCREWS MUST BE FIRMLY THIGHTENED!**
9. Place each seat on its platform and attach with the 5/16 Hex Screws and Lock Washers.
10. Place the Table Assembly on its pedestal and attach it with the two 3 1/2" Hex Screws and Flexloc Nuts.
11. Adjust the Levelers as necessary to prevent the unit from rocking.

